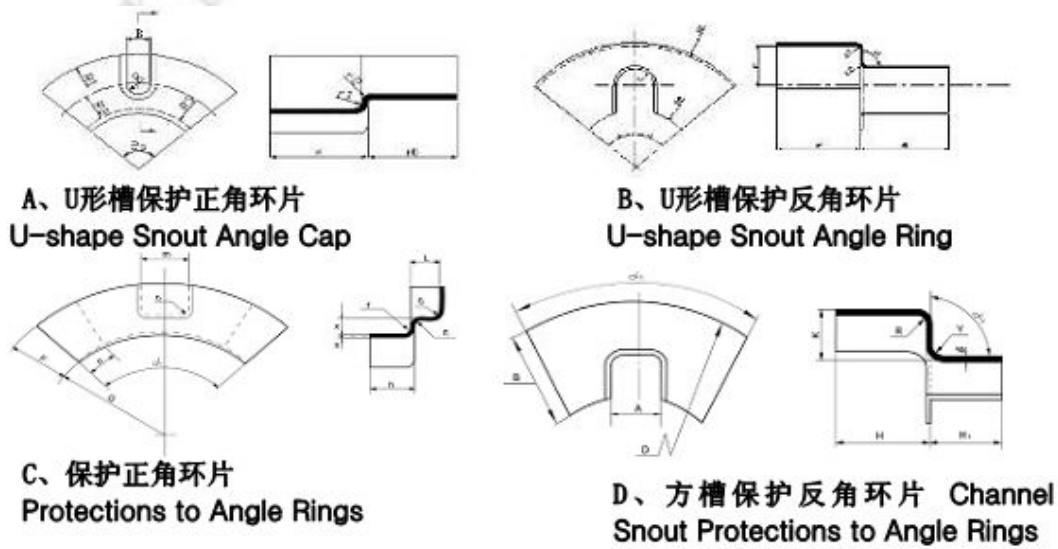


**U-shape Snout Sectors**

Molded by hands.



Dimension range:

Type

A、

R	R1	R2	R3	B	r1	r2	$\alpha$	H	H1
36.5	720	567.5	507.5	73	23.5	13.5	29	250	360
42	740	557	514.5	84	32.5	13.5	29	250	550
32	720	538	505.5	64	22.5	13.5	28	250	510
18	720	594	491.5	36	13.5	12.5	49	250	370

B、

R1	R2	r	r1	r2	$\alpha$	$\alpha 1$	K	H	H1	B
577	370	34	22.5	13.5	39	90	34.5	250	230	0
439.5	250	34	22.5	13.5	66	90	34	250	350	68

Tolerance:

C、

尺寸 Dimensions	m	n	F	G	a	r	r1	h	L	x	s	r2、r3
偏差 Tolerance	$\pm 3$	$+10$ 0	$\pm 3$	0 -3	$\pm 2^\circ$	+4 0	+10 0	$\pm 3$	$\pm 3$	$\pm 3$	+1.5 0	$\pm 5$

D、

尺寸 Dimensions	H	H1	B	D	A	r	a1	a2	$\zeta$	K
偏差 Tolerance	0/-3	0/-3	0/-3	0/-5	$\pm 4$	+4/0	$\pm 2^\circ$	$\pm 5^\circ$	+1.5/0	$\pm 3$