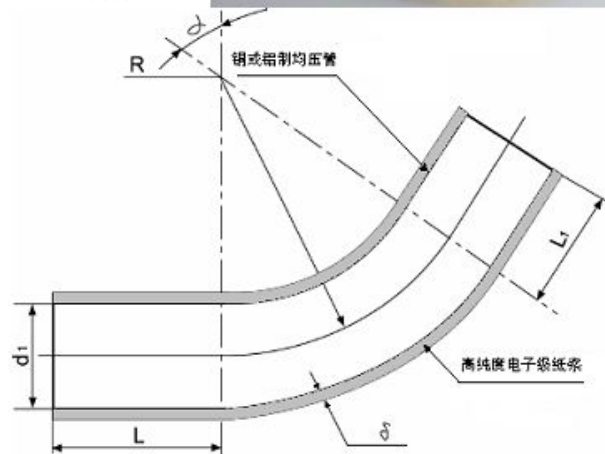
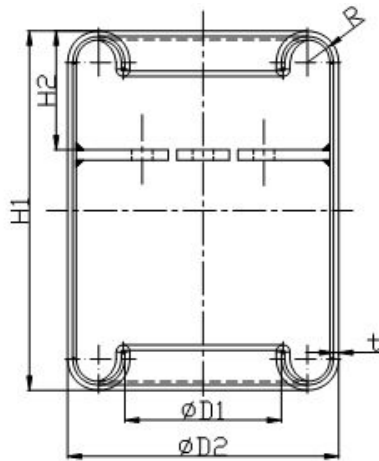


Equalizing Ball & Equalizing Tubes

These products are made by laminating wet pressboard sheets on the outside of copper plate or aluminum plate ball. Usually the inside Copper or aluminum ball should provided by customers.

Wet-form molding by hands



Tolerances

尺寸 Dimensins	D	d	H	d1	L	L1	R	a	δ
偏差 Tolerance	+3 -2	+2 -3	± 3	± 1	± 3	± 3	± 3	$\pm 1^\circ$	+2 0